

PART OF THE  
IQ REELS GROUP



# Inosym Reels

# PRODUCT CATALOGUE

---



# Inosym Reels



## CONTENTS

[2. INTRODUCTION](#)

[3. IQ REELS INTRODUCTION](#)

[4. SEMI MACHINED REELS](#)

[6. FULLY MACHINED REELS](#)

[8. METAL FLANGE PROCESS REELS](#)

[10. ENHANCED METAL FLANGE PROCESS REELS](#)

[12. STEEL DRUM REELS](#)

[14. SHIPPING STEEL DRUM](#)

[16. COLLAPSIBLE BOBBIN](#)

[17. LIFTING DEVICES](#)

[18. PN PROCESSING REELS](#)

[19. STRENGTHENED PN REELS](#)

[20. PT MAGNET WIRE REELS](#)

[21. PC COPPER WIRE REELS](#)

[22. BIG BORE PC REELS](#)

[23. ASSEMBLED PL SPOOLS](#)

# INOSYM HAVE BEEN SUPPLYING REELS TO THE CABLE AND WIRE INDUSTRY FOR 13 YEARS AND TO OVER 56 COUNTRIES.

Specialising in Steel and Plastic reels that are manufactured to European and USA standards, Inosym can offer reels to meet all the varying needs of the modern manufacturing plants.

Inosym is committed to providing our customers with world class quality reels and bobbins at competitive prices.

Our reels were developed to provide cable and wire manufacturers with a product that was realistically priced and of high quality. We believe we are achieving this and are assisting our customers to reduce capital expenditure and increase profits.



**Inosym  
Reels**



**INOSYM REELS AND QUNYE REELS ARE PROUD TO ANNOUNCE THE ESTABLISHMENT OF A JOINT VENTURE COMPANY. IQ REELS.**



The establishment of IQ reels is a major mile stone for Inosym and Qunye and will ensure existing and new customers continue to receive high quality products and service through a comprehensive world wide professional sales network and world class production facilities of over 40,000 square meters.

“The forming of IQ reels will ensure the continued sales growth of the brands Inosym and Qunye and drive IQ REELS to becoming the supplier of choice of reels to the cable and wire markets world wide. The quality and service of

Inosym combined with the cost base and production facilities of Qunye will allow IQ reels to offer reels, bobbins and spools to meet all markets quality and price expectations. We are excited by the benefits this presents our customers in terms of quality, delivery time and price.”

*- Philip Young, Managing Director of Inosym & IQ Reels*

IQ reels welcomes inquires through [www.inosym.com](http://www.inosym.com)

# SEMI MACHINED (SM)

DYNAMICALLY BALANCED TO ISO9001:2000

---

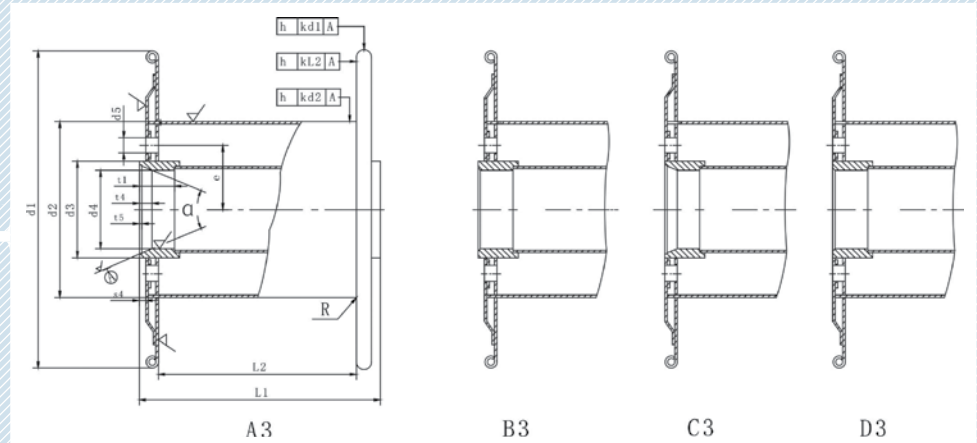
SM315 - 1250

These reels have pressed steel flanges and are suitable for drawing, stranding and bunching of cable and all types of wire. They are dynamically balanced for speeds from 20m/s to 50m/ s. The reel dimensions are according to client specification or international industry standards.



## SM DIMENSIONS

- > **d1** FLANGE DIAMETER
- > **d2** BARREL DIAMETER
- > **d3** BOSS DIAMETER
- > **d4** BORE DIAMETER
- > **d5** DRIVE PIN DIAMETER
- > **L1** OVERALL WIDTH
- > **L2** TRAVERSE
- > **e** DRIVE RADIUS



TYPE SPECIFICATION	d1	d2	d3	d4	L1	L2	d5	e	t1	t4	t5	v1 dm <sup>3</sup>
	315	315	180 200 224	160	125/127	236	200	16	100	63	20	
355	355	200 224 250	160	125/127	265	224	9.3					
							7.7					
							12.2					
400	400	224 250 280	160	125/127	300	250	15.1					
							13.3					
							11.2					
450	450	250 280 315	160	125/127	335	280	17.3					
							21.6					
							19.1					
500	500	280 315 355	160	125/127	375	315	16.0					
							24.6					
							30.8					
560	560	315 355 400	160	125/127	425	355	27.3					
							22.7					
							33.7					
630	630	315 355 400 450	160	125/127	475	400	42.5					
							37.5					
							30.7					
710	710	400 450 500	300	250	530	450	47.1					
							59.8					
							52.3					
800	800	450 500 560 560	300	250	600	500	42.8					
							67.0					
							86.2					
1000	1000	630 710	300	250	750	630	74.4					
							61.6					
							95.9					
1250	1250	710 800 900	300	250	950	800	121.6					
							106.6					
							89.8					
							40	170	125	40	2.5	137
												172
												153
												128
												340
												298
												245
												665
												580
												473

# FULLY MACHINED (FM)

DYNAMICALLY BALANCED TO ISO9001:2000

---

FM200 - 1000

These fully machined reels are suitable for drawing, stranding and bunching of cable and all types of wire. They are dynamically balanced for speeds from 25m/s to 50m/s. The reel dimensions are according to client specification or international industry standards.





## FM DIMENSIONS

- > **d1** FLANGE DIAMETER

---

- > **d2** BARREL DIAMETER

---

- > **d3** BOSS DIAMETER

---

- > **d4** BORE DIAMETER

---

- > **d5** DRIVE PIN DIAMETER

---

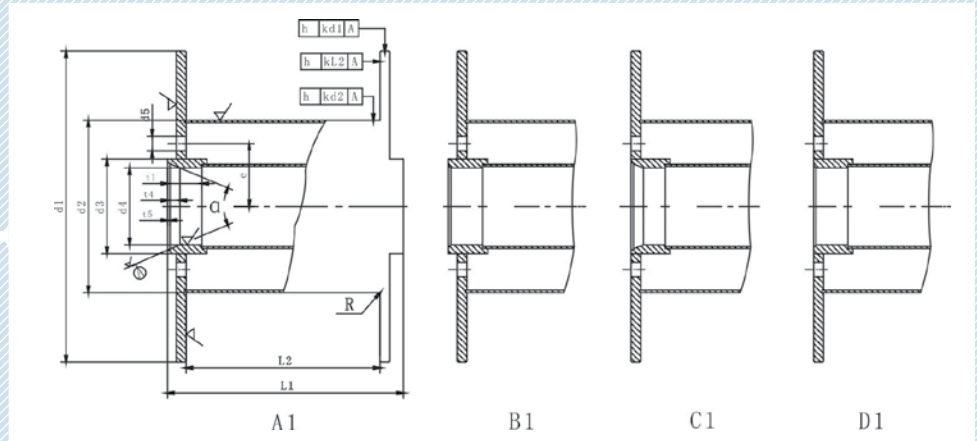
- > **L1** OVERALL WIDTH

---

- > **L2** TRAVERSE

---

- > **e** DRIVE RADIUS



Reel	d1	d2	d3	d4	d5	e	L1	L2
FM200	200	100		25	16	40	150	125
FM300	300	217		127	18	90	290	270
FM315	315	180/224	160	125/127	16	100	236	200
FM355	355	200/250	160	125/127	16	100	265	224
FM400	400	165		70	16	50	270	250
FM450	450	250/315	160	125/127	28	100	335	280
FM500	500	217		70/80/127	20	65	320	300
FM560	560	315/400	160	125/127	28	100	425	355
FM630	630	355		125	28	100	475	400
FM710	710	400/500	160	125/127	28	100	530	450
FM800	800	450	300	250	40	170	600	500
FM1000	1000	630	300	250	50	250	750	630

# METAL FLANGE PROCESS REEL (MF)

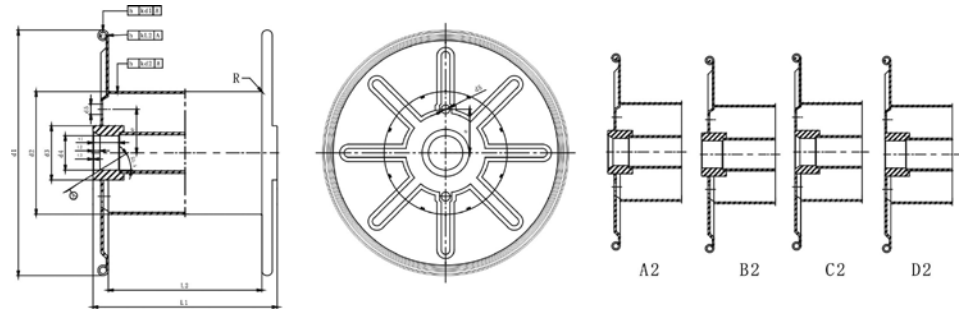
MF100 - 1250

A pressed steel process, one-way or shipping reel. It is suitable for cable, steel wire or rope, copper, aluminum and welding wire. Dimensions may be according to customer's specifications or the relevant international industry standards.



## MF DIMENSIONS

- > **d1** FLANGE DIAMETER
- > **d2** BARREL DIAMETER
- > **d3** BOSS DIAMETER
- > **d4** BORE DIAMETER
- > **d5** DRIVE PIN DIAMETER
- > **L1** OVERALL WIDTH
- > **L2** TRAVERSE
- > **e** DRIVE RADIUS



TYPE	d1	d2	d3	d4	d5	e	L1	L2	V1 dm <sup>3</sup>		
SPECIFICATION											
100	100	40	50	28	8-16	40	80	63	0.42		
125	125	50					95	80	0.83		
160	160	63					118	100	1.7		
200	200	80	60	36		40	150	125	2.35		
250	250	100					125	100	6.6		
315	315	125					190	160	4.6		
355	355	140	112	56	16-32	71	150	125	13.1		
400	400	160					236	200	9.2		
450	450	180					190	160	265	224	18.7
500	500	200					215	180	300	250	13.2
560	560	224					236	200	335	280	26.3
630	630	250					265	224	375	315	18.8
710	710	280	160	80	28-40	160	300	250	37.4		
800	800	315					236	200	51.9		
900	900	355					335	280	26.3		
1000	1000	400					475	400	18.8		
1120	1120	450					375	315	37.4		
1250	1250	500					530	450	105.1		
		560	600	500	72.5	670	560	133.6			
		630							750	630	267.2
		710									
		800	950	800	524.6						
		950						732.4			

# ENHANCED METAL FLANGE PROCESS REEL (EMF)

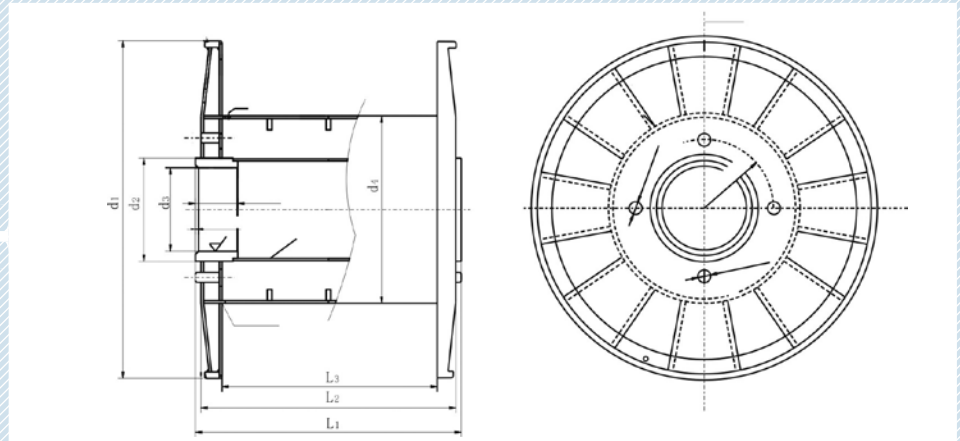
EMF630 - 1250

A stronger pressed steel process, one-way or shipping reel. It is suitable for heavier cable, steel wire or rope, copper aluminum and welding wire. Dimensions may be according to customer's specifications or the relevant international industry standards.



## EMF DIMENSIONS

- > **d1** FLANGE DIAMETER
- > **d2** BARREL DIAMETER
- > **d3** BOSS DIAMETER
- > **d4** BORE DIAMETER
- > **d5** DRIVE PIN DIAMETER
- > **L1** OVERALL WIDTH
- > **L2** TRAVERSE
- > **e** DRIVE RADIUS



TYPE	d1	d2	d3	L1	L2
SPECIFICATION					
630	630	350	+1.00 80 +0.50	444	400
760	760	408	+1.00 80 +0.50	410	360
860	860	430	+1.00 80 +0.50	430	380
1150	1150	780	+1.00 80 +0.50	318	255
1250	1250	630	80	950	800

# STEEL DRUM (SD)

---

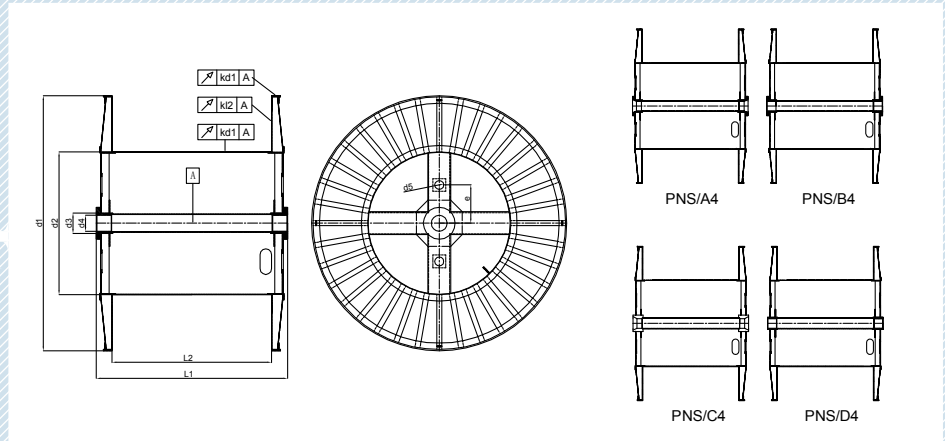
SD800 - 3150

A steel drum for cable, rope and strand. Suitable for extrusion, drum twisting and lay up processes. Dimension either according to customer's specifications or international industry standard.



## SD DIMENSIONS

- > **d1** FLANGE DIAMETER
- > **d2** BARREL DIAMETER
- > **d3** BOSS DIAMETER
- > **d4** BORE DIAMETER
- > **d5** DRIVE PIN DIAMETER
- > **L1** OVERALL WIDTH
- > **L2** TRAVERSE
- > **e** DRIVE RADIUS



TYPE	d1	d2	d3	d4	d5	e	L1	L2	V1 dm <sup>3</sup>
SPECIFICATION									
800	800	400	102	80	28-40	160	600	500	188.5
900	900	450	160				670	560	267.2
1000	1000	500	160				750	630	371.1
1150	1150	560	160				850	710	524.6
1250	1250	630	160				950	800	732.4
1400	1400	710	160				1060	900	1029.1
1600	1600	800	200	100	70-130	300	1180	1000	1508.0
1800	1800	1000					1320	1120	1970.4
2000	2000	1120					1500	1250	2695.5
2240	2240	1250					1700	1400	3799.1
2500	2500	1500					1900	1600	5026.5
2800	2800	1800					2120	1800	6503.1
3150	3150	1900	300	160	500	2300	2000	9915.6	

# SHIPPING STEEL DRUM (SSD)

---

SSD800 - 4500

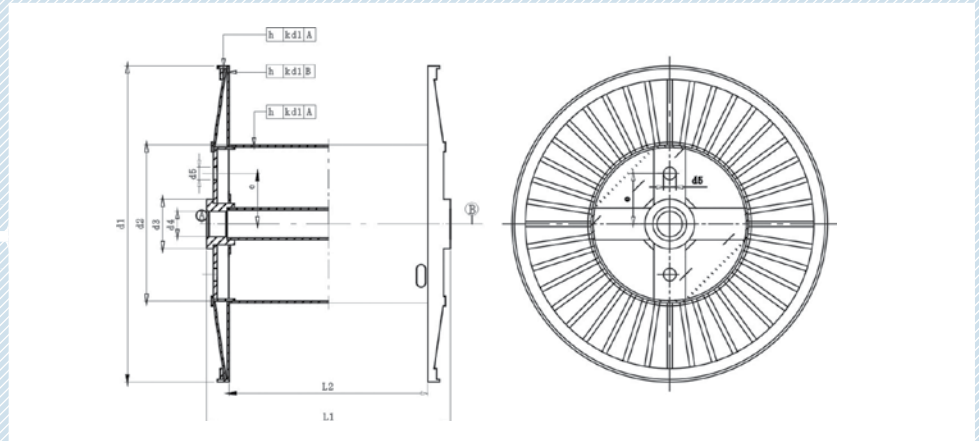
A Shipping or one-way drum suitable for cable, rope and strand products. Dimension either according to customer's specifications or international industry standards.





## SSD DIMENSIONS

- > **d1** FLANGE DIAMETER
- > **d2** BARREL DIAMETER
- > **d3** BOSS DIAMETER
- > **d4** BORE DIAMETER
- > **d5** DRIVE PIN DIAMETER
- > **L1** OVERALL WIDTH
- > **L2** TRAVERSE
- > **e** DRIVE RADIUS



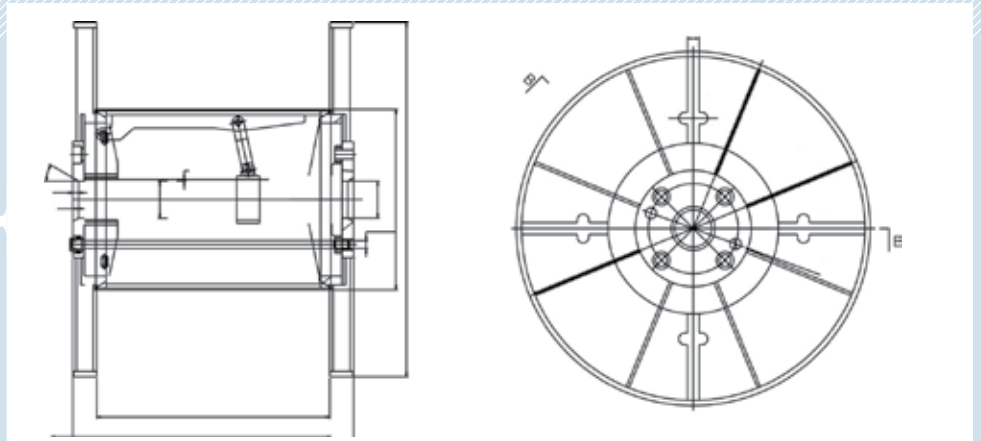
TYPE	d1	d2	d4	d5	e	L1	L2	V1 dm³
SPECIFICATION								
1250	1250	630	80	65	160	900	710	650
1400	1400	710						812
1600	1600	800						1357
1800	1800	1000	1120		900	1583		
2000	2000	1000				2638		
2240	2240	1120				2144		
2500	2500	1250	125		400	1360	1120	3309
		1400						2928
2800	2800	1400	125		400	1450	1220	4121
		1600						4109
3000	3000	1800	125		400	1360	1120	3534
		2000						4983
3150	3150	1800	125	400	1450	1220	7238	
		2000					6238	
3390	3390	1800	140	600	1690	1380	8397	
		2000					7442	
3550	3550	2360	140	600	2000	1600	9076	
		2360					7103	
3750	3750	2360	140	600	2000	1600	10810	
		2650					8837	
4000	4000	2650	200	80	1000	2240	12006	
		2800					9952	
4250	4250	2650	200	80	1000	2240	12691	
		2800					11535	
4500	4500	2800	200	80	1000	2500	17341	
		3000					16057	
								19493
								17671

# COLLAPSIBLE BOBBIN (CB)

This bobbin is used to aid the coiling and packing of wire and strand. After winding the bobbin is dismantled for removal of the coil and packing. The bobbin is then easily reassembled with bolts to be reused. Removable parts allow for use with coils of varying width.

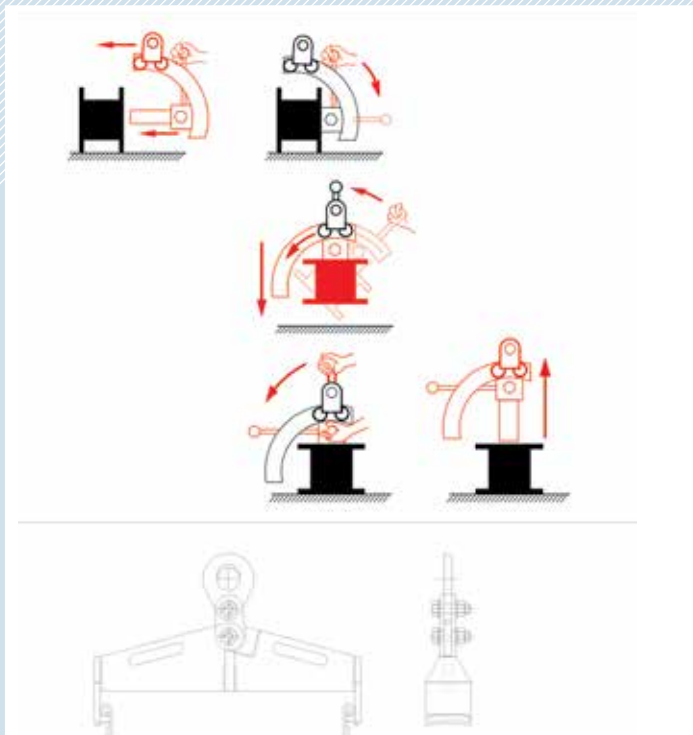
## SSD DIMENSIONS

- > **d1** FLANGE DIAMETER
- > **d2** BARREL DIAMETER
- > **d3** BOSS DIAMETER
- > **d4** BORE DIAMETER
- > **d5** DRIVE PIN DIAMETER
- > **L1** OVERALL WIDTH
- > **L2** TRAVERSE
- > **e** DRIVE RADIUS



## LIFTING DEVICES

A range of lifting devices are available.

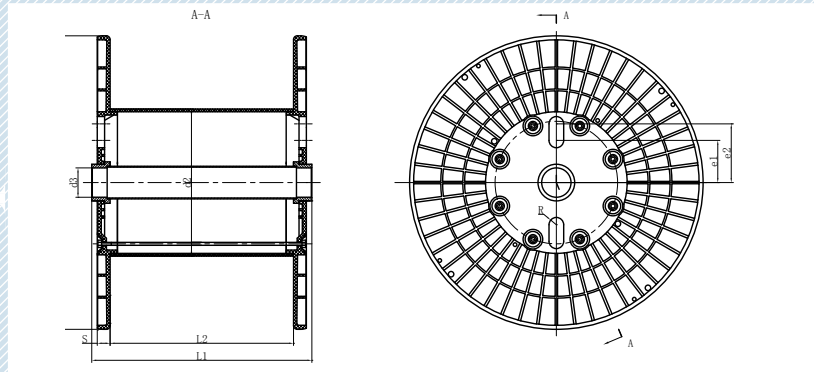


# PN PROCESSING REELS

Made with one hundred percent new ABS plastic material, these injection-molded reels are balanced, smooth and lightweight. These reusable process reels are suitable for take up and pay off during cable making procedures from wire drawing to coiling.



- > **d1** FLANGE DIAMETER
- > **d2** BARREL DIAMETER
- > **d3** BOSS DIAMETER
- > **d4** BORE DIAMETER
- > **d5** DRIVE PIN DIAMETER
- > **L1** OVERALL WIDTH
- > **L2** TRAVERSE
- > **e** DRIVE RADIUS



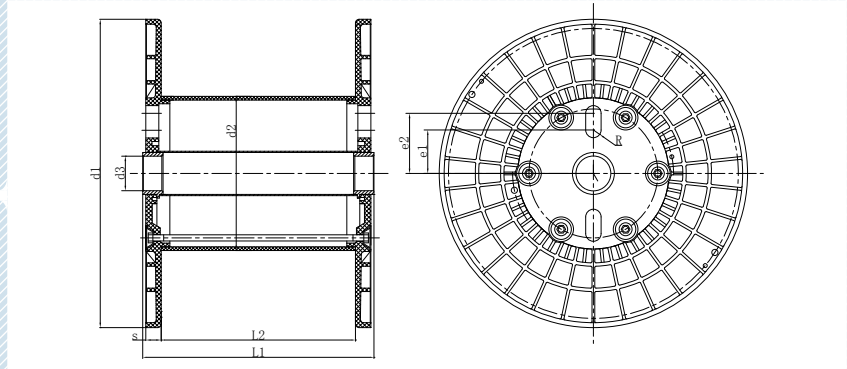
Item	Type	Structure	Material	D1	D2	D3	I2	L1	S	DRIVE HOLE	
										r	e1-e2
1	PN250	Assemble	ABS/PS	250	160	25	160	172	6	8	56.75
2	PN300A	Assemble	ABS	300	130	36, 40	154, 220	180, 245	12	7.5	38-40
3	PN300C	Assemble	ABS	300	160	30, 40	155, 185, 250	185, 215, 280	15	7.5	40-62
4	PN315	Assemble	ABS	315	130	36, 40	154, 220	185, 250	15	9	40-46
5	PN350	Assemble	ABS	350	160	25, 30	160, 250	200, 290	20	9	45-60
6	PN400A	Assemble	ABS	400	200	56, 60	121, 250, 263, 265, 280	155, 300, 312	16	10	60-75
7	PN400B	Assemble	ABS	400	160	40, 51	200, 250	240, 290	20	7.5	45-63
8	PN400D	Assemble	ABS	400	200	56	250, 280	290, 320	20	10	53-77
9	PN450A	Assemble	ABS	450	200	25, 40	250, 280	300, 320	20	11	46-75
10	PN450B	Assemble	ABS	450	225	45, 56	265, 280	305, 320	20	11	50-87
11	PN500A	Assemble	ABS	500	250	56	250, 270, 280, 315	300, 310, 320, 375	20	12.5	70-100
12	PN500B	Assemble	ABS	500	250	56, 70	250, 270, 280, 315	300, 320, 330, 375	25	12.5	70-100
13	PN500D	Assemble	ABS	500	200	56	250, 280	300, 320	20	12.5	63-72
14	PN500E	Assemble	ABS	500	250	56	250	300	20	12.5	70-100
15	PN550A	Assemble	ABS	550	200	56	250, 265, 280	290, 305, 320	20	12.5	80
16	PN550B	Assemble	ABS	550	200	56	250, 280	300, 330	25	12.5	80
17	PN560A	Assemble	ABS	560	250	56	250, 315, 400	310, 375, 460	27.5	12.5	70-100
18	PN560C	Assemble	ABS	560	280	56	280, 315	335, 370	27.5	10	90
19	PN600	Assemble	ABS	600	250	56, 70	315, 400	375, 450	25	13	70-97
20	PN630A	Assemble	ABS	630	250	56, 80	270, 315, 400	320, 375, 475	25	12.5	70-97
21	PN630B	Assemble	ABS	630	315	56, 80	315, 400, 415	375, 475	25	12.5	69-98
22	PN700	Assemble	ABS	700	250	56	315, 400	375, 475	30	12	70-97
23	PN800A	Assemble	ABS	800	315	80, 127	415, 450, 500	490, 520, 600	35	20	115-125
24	PN800B	Assemble	ABS	800	400	80, 127	400, 500, 530	475, 600	35	20	115-160
25	PN1000	Assemble	ABS	1000	507	80, 127	630	750	40	20	115-168

# STRENGTHENED PN REELS

Made with one hundred percent new ABS plastic material, these injection-molded reels are balanced, smooth and lightweight. A lightweight alternative for processing copper, steel and alloy wire products. Like all our products they are well balanced and easy to use.



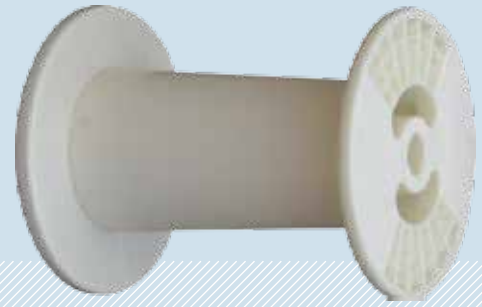
- > **d1** FLANGE DIAMETER
- > **d2** BARREL DIAMETER
- > **d3** BOSS DIAMETER
- > **d4** BORE DIAMETER
- > **d5** DRIVE PIN DIAMETER
- > **L1** OVERALL WIDTH
- > **L2** TRAVERSE
- > **e** DRIVE RADIUS



Item	Type	Structure	Material	d1	d2	d3	L2	L1	s	DRIVE HOLE	
										r	e1-e2
1	PN400C	Assemble	ABS	400	200	56, 70	250, 280	300, 320	20	10	60-75
2	PN450C	Assemble	ABS	450	225	56	265, 280	320, 335	27.5	10	70-90
3	PN500C	Assemble	ABS	500	250	56, 127	250, 270, 315	310, 325, 375	27.5	12.5	70-97
4	PN560B	Assemble	ABS	560	315	127	315	375	27.5	10.5	90
5	PN630C	Assemble	ABS	630	315	56, 80, 127	315, 400	385, 470	35	12.5	80-130
6	PN800B	Assemble	ABS	800	400	80, 127	400, 500, 530	475, 600	35	20	114-159

# PT MAGNET WIRE REELS

These reels are specially designed and balanced for the production and dispatch of magnet wire.



- > **d1** FLANGE DIAMETER

---

- > **d2** BARREL DIAMETER

---

- > **d3** BOSS DIAMETER

---

- > **d4** BORE DIAMETER

---

- > **d5** DRIVE PIN DIAMETER

---

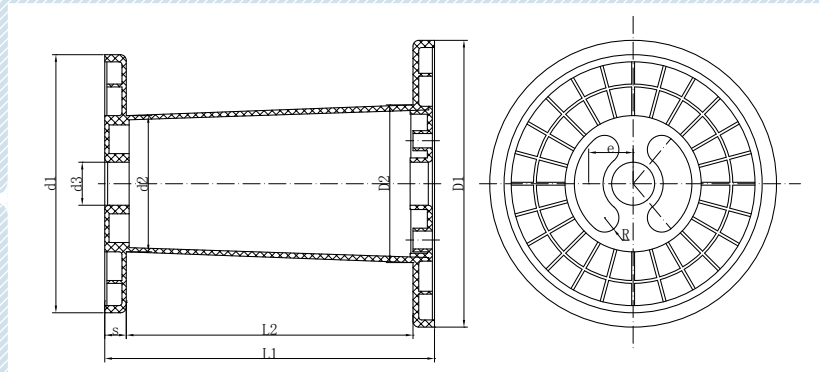
- > **L1** OVERALL WIDTH

---

- > **L2** TRAVERSE

---

- > **e** DRIVE RADIUS



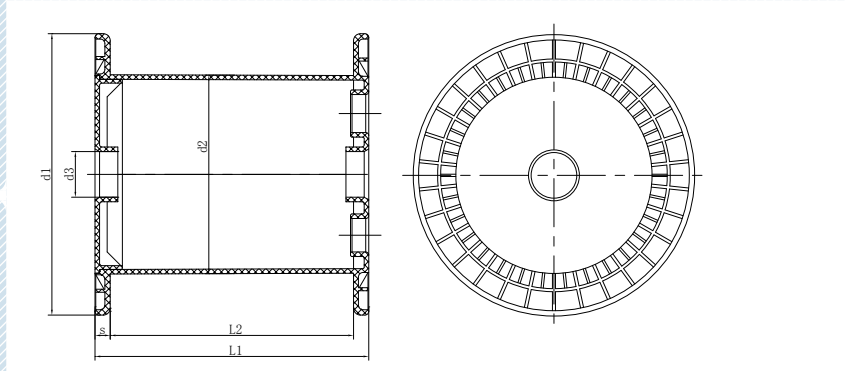
Item	Type	Material	d1	D1	d2	D2	L2	L1	D3	S	Weight
1	PT1	ABS/PS	95	105	53	58	100	120	20	10	110g
2	PT2	ABS/PS	102	112	60	67	150	166	20	8	170g
3	PT4	ABS/PS	124	140	74	86	170	200	26	15	240g
4	PT10	ABS/PS	160	180	96	110	200	230	30	15	420g
5	PT15	ABS/PS	180	200	96	110	200	230	30	15	600g
6	PT25	ABS/PS	215	230	110	130	250	280	30	15	1000g
7	PT45	ABS/PS	236	250	140	160	335	400	100	32.5	2150g
8	PT60	ABS/PS	270	300	150	179	350	400	45	25	2400g
9	PT90	ABS/PS	300	315	180	200	425	500	100	38	3900g
10	PT200	ABS/PS	375	400	224	250	530	630	100	50	7300g
11	PT270	ABS/PS	435	460	255	280	530	630	100	50	10500g

# PC COPPER WIRE REELS

As a specialized copper wire product this injected reel is made of ABS, PS, nylon and other materials to ensure it is durable, non-kinking and perfectly balanced. A high speed pay off and take up reel for drawing and bunching a variety of metal bare and insulated wires.



- > **d1** FLANGE DIAMETER
- > **d2** BARREL DIAMETER
- > **d3** BOSS DIAMETER
- > **d4** BORE DIAMETER
- > **d5** DRIVE PIN DIAMETER
- > **L1** OVERALL WIDTH
- > **L2** TRAVERSE
- > **e** DRIVE RADIUS



item	Type	Structure	Material	D1	D2	D3	L2	L1	S	DRIVE HOLE		Weight
										r	e1-e2	
1	PC60B	Whole	ABS/PS	60	45	15	50	60	5			32g
2	PC75B	Whole	ABS/PS	75	45	16	88	100	6			75g
3	PC85	Whole	ABS/PS	85	55	20	85	105	10	3.5	18	88g
4	PC100A	Whole	ABS/PS	100	50	20	70	90	10			100g
5	PC100B	Whole	ABS/PS	100	50	20	100	120	10			120g
6	PC125A	Whole	ABS/PS	125	65	20,25	100	120	10	4	19.5	180g
7	PC130B	Whole	ABS/PS	130	80	20	90	110	10	4	12.5	180g
8	PC140	Whole	ABS/PS	140	100	25,77	80	95	7.5			90g, 210g
9	PC150B	Whole	ABS/PS	150	85	20	90	114	12			260g
10	PC160D	Whole	ABS/PS	160	100	72	128	160	16			500g
11	PC185A	Whole	ABS/PS	185	130	30	160	180	10			500g
12	PC185B	Whole	ABS/PS	185	130	30	160	180	10			400g
13	PC200A	Whole	ABS/PS	200	90	25,31	110	134	12	7.5	31.5	500g
14	PC200C	Whole	ABS/PS	200	100	25	100	120	10			430g
15	PC200D	Whole	ABS/PS	200	90	33,40	160	190	15			450g
16	PC200E	Whole	ABS/PS	200	125	30	160	200	20	6.5	32	670g
17	PC200F	Whole	ABS/PS	200	180	25	114	130	8			408g
18	PC215	Whole	ABS/PS	215	125	56,30	100	120	10	10	45	550g
19	PC220	Whole	ABS/PS	220	110	36	160	190	15	7	45	700g
20	PC230	Whole	ABS/PS	230	210	16	95	102	3.5	6.5	16	980g
21	PC250J	Whole	ABS/PS	250	125	30	160	200	20	7	32	850g
22	PC300A	Whole	ABS/PS	300	130	30	130	160	15	7.5	38-47	1250g
23	PC410	Assemble	ABS	410	310	51	260, 280, 320	330, 350, 390	35			
24	PC500A	Assemble	ABS	500	315	36,56	180, 315	250, 385	35	13	75-102.5	9kg, 10kg
25	D500	Assemble	ABS	500	300	50	11, 13, 15.5	20, 22, 24.5	45			

# BIG BORE PC REELS

As a specialized copper wire product this injected reel is made of ABS, PS, nylon and other materials to ensure it is durable, non-kinking and perfectly balanced. For use with high speed European and American wire drawing machines these reels are a lightweight and cost effective alternative to steel bobbins.



- > **d1** FLANGE DIAMETER

---

- > **d2** BARREL DIAMETER

---

- > **d3** BOSS DIAMETER

---

- > **d4** BORE DIAMETER

---

- > **d5** DRIVE PIN DIAMETER

---

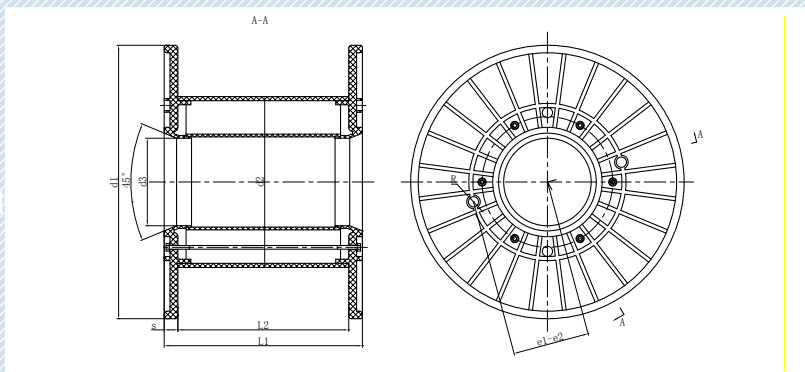
- > **L1** OVERALL WIDTH

---

- > **L2** TRAVERSE

---

- > **e** DRIVE RADIUS



item	Type	Structure	Material	D1	D2	D3	L2	L1	D	DRIVE HOLE	
										r	e1-e2
1	PC400E	Assemble	ABS/PS	400	250	36,56,127	250	290	20	7.5	112
2	PC450C	Assemble	ABS	450	225	56,127	265	320	27.5	10	70-90
3	PC500C	Assemble	ABS	500	250	36,56,127	250	305	27.5	13	65
4	PC560B	Assemble	ABS	560	315	36,56,127	315	375	27.5	12.5	70-97.5
5	PC630A	Assemble	ABS	630	400	36,56,127	400,500	500,600	50	12.5	100-130
6	PC630B	Assemble	ABS	630	315	127	315,400	365,450	25	15	100
7	PC710	Assemble	ABS	710	507	36,56,127	180	250	35	13	95-140
8	PC760	Assemble	ABS	760	355	54,127	274,296,410	334,356,410	30	16	58.5-121.5

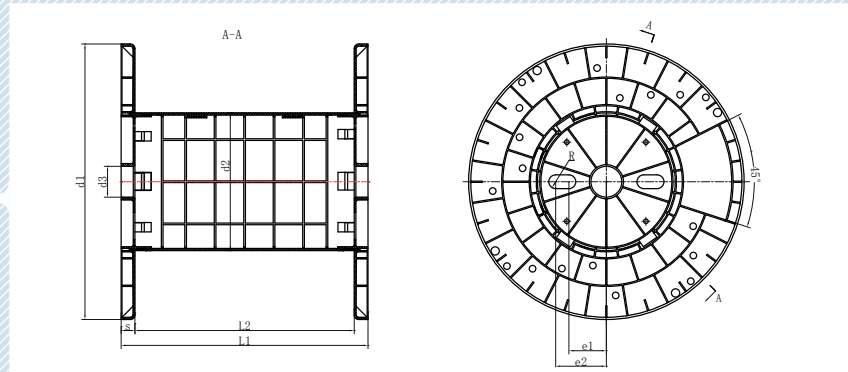


# ASSEMBLED PL SPOOLS

These reels are the cost effective and environmentally sound alternative to wood and steel dispatch reels available in designs, materials and sizes to meet customer needs. This is an innovative reel for the delivery of wire, cable and rope products. With transport costs and recycling in mind this reel is able to be easily broken down and reassembled.



- > **d1** FLANGE DIAMETER
- > **d2** BARREL DIAMETER
- > **d3** BOSS DIAMETER
- > **d4** BORE DIAMETER
- > **d5** DRIVE PIN DIAMETER
- > **L1** OVERALL WIDTH
- > **L2** TRAVERSE
- > **e** DRIVE RADIUS



Item	Type	Structure	Material	D1	D2	D3	L2	L1	S
1	PL280	Assemble	PP/Tukil	280	127	45	146,220	176,250	15
2	PL300B	Assemble	ABS/PP	300	130	46	220	244	12
3	PL305	Assemble	PP	305	130	46	177	211	17
4	PL340	Assemble	PP/Tukil	340	130	54	220	248	14.5
5	PL343	Assemble	PP	343	103	45	159,210,254	187,248,292	19
6	PI370	Assemble	PP/Tukil	370	150	48	167,228,305,370	205,266,343,408	20.5
7	PL400A	Assemble	ABS/PP	400	200	56	250,280	290,320	20
8	PL400B	Assemble	ABS/PP	400	160	51	250	290	20
9	PL400C	Assemble	ABS/PVC	400	160	127	300	324	12
10	PL400D	Assemble	PP/Tukil	400	200	57	380	320	20
11	PL450A	Assemble	PP/PVC	450	140	56	260	300	20
12	PL450B	Assemble	ABS/PP	450	200	56	280,250	320,290	20
13	PL450C	Assemble	ABS/PP	450	250	56,63	315,400,450	355,440,490	20
14	PL500A	Assemble	ABS/PP	500	200	56	250,280	300,330	25
15	PL500B	Assemble	ABS/PP	500	250	56	315,400,440	365,450	25
16	PL550	Assemble	ABS/PP	550	250	56,63	400,450	450,500	25
17	PL630A	Assemble	ABS/PP	630	250	56	315,400,440	375,460	30
18	PL630B	Assemble	ABS/PP	630	315	56	400,500	460,560	30
19	PL710	Assemble	ABS/PP	710	315	56	400,500	470,570	35
20	PL800A	Assemble	ABS/PP	800	315	80	400,500	480,580	40
21	PL800B	Assemble	ABS/PP	800	400	80	400,450,500	480,580	40
22	PL915A	Assemble	ABS/PP	915	400	80	400,500	500,600	50



# REEL QUALITY

[www.inosym.com](http://www.inosym.com)

## Inosym Reels

**For more information please contact us:**

39 Hinau St. Riccarton, Christchurch, New Zealand

**PHONE:** +64 21 353 634, **FAX:** +64 3 341 668

**E-MAIL:** [inosym@inosym.com](mailto:inosym@inosym.com)



PART OF THE  
IQ REELS GROUP



**Inosym  
Reels**

[www.inosym.com](http://www.inosym.com)